

## LCN - Service trolley



Trolley available in black, white, silver and fuchsia  
Other colours on request for minimum quantities

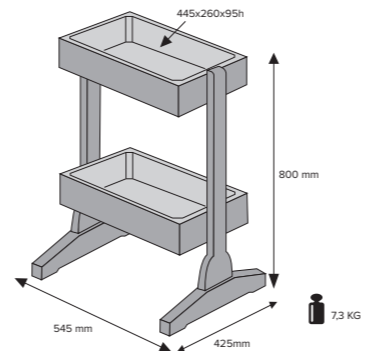
The LC wheeled service trolley, practical accessory for any make-up and aesthetic treatment station, is the ideal and coordinated complement of **L200 ed L400 stations**.  
Even the LC trolley made of dried and lacquered beech wood, 100% Italian craftsmanship.

◆ **Convenient:** to get the working tools in order and ready to share with colleagues

◆ **Agile:** on 4 pivoting wheels, it can be moved with a finger

◆ **Large:** 2 shelves with removable and washable thermoformed containers. Removable partitions.

### Technical Details



It can be combined with wheeled stations and chairs by Cantoni's line.



All products by Cantoni are made in Italy with carefully selected materials.  
Each product is the result of a careful study to ensure the best balance between aesthetics and technology.  
The authenticity of each piece by Cantoni is ensured by our trademark.

We are always available to respond to every request and question about products.  
Our technical department is then available for custom projects

PLEASE NOTE:  
Cantoni reserves the right to modify at any time the items in the catalogue for technical or commercial purposes.  
Shipments are made from our offices in San Marino



#### CANTONI TRADING SRL

##### ***Headquarters***

Via Guardia di Rocca 10 - 47899 Galazzano - Rep. San Marino

##### ***Registered Office e Showroom***

Strada degli Angariari 25 - 47891 Rovereta - Rep. San Marino

Tel. (+378) 0549 977527 - Fax (+378) 0549 876501

[sales@cantonionline.com](mailto:sales@cantonionline.com)

[www.cantonionline.com](http://www.cantonionline.com)

[www.cantonishop.com](http://www.cantonishop.com)