

MOBILE STATIONS WITH EXCLUSIVE DESIGN AND STRONG VISUAL IMPACT

Rounded lines and exclusive and attractive design, big aluminium handle , black satin finishes, ABS structure. The thermoforming process, which creates a single shell, without joints, grants this model non-deformability, strength and resistance over time. Case and telescopic legs consists of a single body.

VOYAGER LINE



*RUBBER WHEELS
with bearings*



*TELESCOPIC TROLLEY
with spring lock button*



*DESIGN WITH ROUNDED LINES
BIG HANDLE IN ANODISED ALUMINIUM WITH KEY LOCKS*



VOYSL.TR-10 -The large one



Sliding drawers with magnetic closure and aluminium guides. The large drawer, retractable in the body of the case is totally removable and features a key lock.



Standard equipment to fasten the stand supporting projects. Universal power socket 110-240V

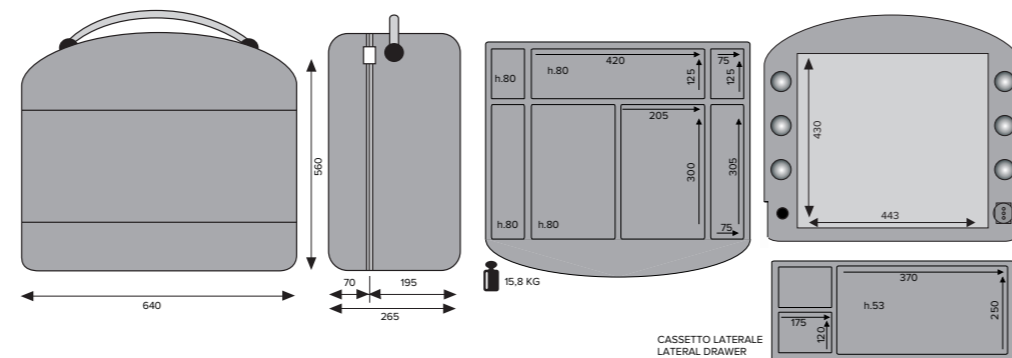


CANTONI I-LIGHT LIGHTING SYSTEM with dimmer button to adjust the brightness

- ◆ **Scenografica:** size and design ideal to draw attention
- ◆ **Large:** internal compartments deep and of different sizes
- ◆ **Safe:** large pull-out, retractable drawer with key
- ◆ **Fast:** telescopic legs for fast opening without assembly
- ◆ **Customizable:** logos and images printable on both cover and mirror

Technical Details

Working table 970 mm high with maximum extension of the telescopic legs





HOLDING PROJECTS STAND

Comfortable and stable support for make-up projects, it fits into the hooks on the side of the case.
Made of lightweight and durable aluminium.



DIGITAL SUPPORT FOR STAND

This locking system allows to securely fit on the projects stand both digital frames and tablets



X4 +SX4

WHEEL SYSTEM FOR MAKE-UP CASE

System of strong wheels with lock to apply to the legs of the make-up case. Folding, it can be stored in the suitable carrying bag. In aluminium.



X4 +SX4: HOW TO USE IT

The Rolling System is a useful accessory that allows to easily move the make-up case once opened.



COVER: TO PROTECT THE CASE

The protective cover of the VOYAGER case is made of padded and waterproof technical fabric. The handles and wheels are not covered and the surface is protected against scratches and bumps.

All products by Cantoni are made in Italy with carefully selected materials.
Each product is the result of a careful study to ensure the best balance between aesthetics and technology.
The authenticity of each piece by Cantoni is ensured by our trademark.

We are always available to respond to every request and question about products.
Our technical department is then available for custom projects

PLEASE NOTE:
Cantoni reserves the right to modify at any time the items in the catalogue for technical or commercial purposes.
Shipments are made from our offices in San Marino



CANTONI TRADING SRL

Headquarters

Via Guardia di Rocca 10 - 47899 Galazzano - Rep. San Marino

Registered Office e Showroom

Strada degli Angariari 25 - 47891 Rovereta - Rep. San Marino

Tel. (+378) 0549 977527 - Fax (+378) 0549 876501

sales@cantonionline.com

www.cantonionline.com

www.cantonishop.com