

## LINE OF STRONG MOBILE STATIONS, DESIGNED FOR SPACE AND EFFICIENCY LOVERS

Both VT and VP lines mobile stations for hair and make-up stand out for their “flight case” style. Wide range of models of different sizes and with different interior equipments, to offer targeted solutions for different requirements and have everything in order and handy. The structure is lightweight, sturdy and compact, with ABS frames resistant to scratches and wear. Quick and easy opening and closing system, thanks to the built-in telescopic legs. Details with engraved Cantoni logo.

## VT AND VP LINES



*RUBBER WHEELS  
with ball bearings*



*TELESCOPIC TROLLEY  
with spring lock button  
REINFORCED STRAP HANDLES*



*ANODISED ALUMINIUM PROFILES  
CHROME ACCESSORIES  
KEY LOCK*



*EQUIPMENT  
with standard locking system to  
holding projects STAND*

## VPET-10 -The compact one with trays



Built-in trolley with square section telescopic handle. Handle with lock button.



Removable trays that can be positioned on the sides of the case with suitable hooks. Removable partitions inside the container



Predisposizione di serie per l'aggancio del leggjo porta progetti. Presa di corrente universale 110-240V



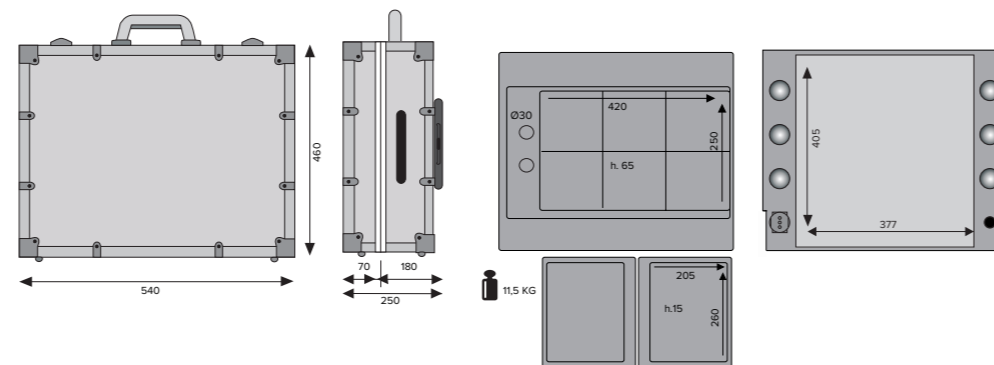
CANTONI I-LIGHT LIGHTING SYSTEM with dimmer button to adjust the brightness

The lighted make-up case with VPET trolley is the optimal solution for make-up artists and hairstylists who need a handy work stations suitable for the most different situations.

- ◆ **Light:** the lightest on the market
- ◆ **Compact:** compact size
- ◆ **Fast:** telescopic legs for fast opening without assembly
- ◆ **Versatile:** suitable for make-up, hairstyling and aesthetics
- ◆ **Smart:** interior with removable partitions and brush holders
- ◆ **Customizable:** logos and images printable on both cover and mirror

### Technical Details

Working table 880 mm high with maximum extension of the telescopic legs





**HOLDING PROJECTS STAND**

Comfortable and stable support for make-up projects, it fits into the hooks on the side of the case. Made of lightweight and durable aluminium.

**X4 +SX4**

**WHEEL SYSTEM FOR MAKE-UP CASE**

System of strong wheels with lock to apply to the legs of the make-up case. Folding, it can be stored in the suitable carrying bag. In aluminium.

**X4 +SX4: HOW TO USE IT**

The Rolling System is a useful accessory that allows to easily move the make-up case once opened.

**COVER: TO PROTECT THE CASE**

The protective cover for the VT and VP make-up cases are made of padded and waterproof technical fabric. The handles and wheels are not covered and the surface is protected against scratches and bumps.



**DIGITAL SUPPORT FOR STAND**

This locking system allows to securely fit on the projects stand both digital frames and tablets.



**HOOKING HAIRDRYER HOLDER**

It can be hooked to any side of the case. In ABS, it does not deform with the heat of the hair-dryer

All products by Cantoni are made in Italy with carefully selected materials.  
Each product is the result of a careful study to ensure the best balance between aesthetics and technology.  
The authenticity of each piece by Cantoni is ensured by our trademark.

We are always available to respond to every request and question about products.  
Our technical department is then available for custom projects

PLEASE NOTE:  
Cantoni reserves the right to modify at any time the items in the catalogue for technical or commercial purposes.  
Shipments are made from our offices in San Marino



#### CANTONI TRADING SRL

##### ***Headquarters***

Via Guardia di Rocca 10 - 47899 Galazzano - Rep. San Marino

##### ***Registered Office e Showroom***

Strada degli Angariari 25 - 47891 Rovereta - Rep. San Marino

Tel. (+378) 0549 977527 - Fax (+378) 0549 876501

[sales@cantonionline.com](mailto:sales@cantonionline.com)

[www.cantonionline.com](http://www.cantonionline.com)

[www.cantonishop.com](http://www.cantonishop.com)