

L400.N FO - With 4 side drawers and framed mirror



Top with 4 convenient drawers openable by the side

Dressing table

I-light lights Dimmer button for adjusting light brightness

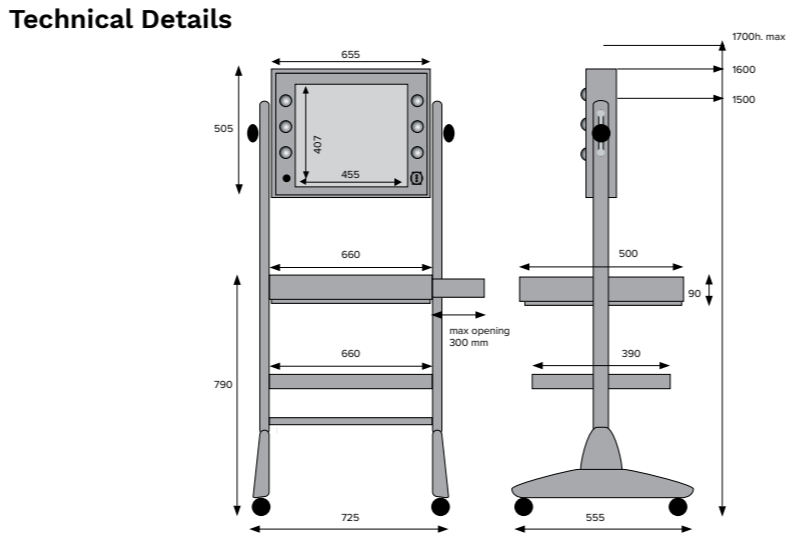
110-240V universal power socket

KNOB to lock mirror tilting angle and height

L400X2-FO DOUBLE MIRROR VERSION

The L400 wheeled make-up station combines space, image and professionalism. It features 6 framed I-light lamps and universal power socket. Ideal solution for shops and stores. The version with double mirror (front and back) is ideal for make-up and hair-styling academies.

- ◆ **Sturdy:** top quality materials and workmanship guarantee long service life. 100% Made in Italy
- ◆ **Large:** the 4 drawers can be opened by the side, bottom storage shelf and top table offer large and convenient spaces
- ◆ **Professional:** I-light lighting system specific for face care, with low power consumption and adjustable brightness
- ◆ It can be **combined** with the **LC** trolley and the **Chair line by Cantoni**



The version with lighted mirror on both sides is ideal for make-up schools: up to 4 students can work simultaneously on a single station.

LINE OF WHEELED MAKE-UP STATIONS WITH LIGHTS

The **mobile make-up stations** by Cantoni, L200 and L400 stations are designed to dynamically manage the areas dedicated to make-up and hair styling. Designed to meet the needs of **make-up schools**, they are an optimal solution also for decorating in an elegant way, professional and convenient way, a beauty corner in any kind of point of sale.

Hand crafted by skilled **Italian carpenters**, they are made of **dried beech** and hand lacquered with non-toxic paints. In addition to the standard black, with minimum quantities, it is possible to order wheeled workstations in other colours.

I-Light dimmer, the **exclusive lighting system for the make-up** patented by Cantoni, it is fitted as standard on these mobile stations..



*LARGE TILTING MIRROR
adjustable in height with 6 I-LIGHT
LIGHTING points by CANTONI*



*FOUR STURDY WHEELS
Pivoting with brake*



*BRUSH-HOLDING GLASS
removable and washable*



*PROJECTS HOLDING STAND
Removable made of aluminium*



LCN - Service trolley

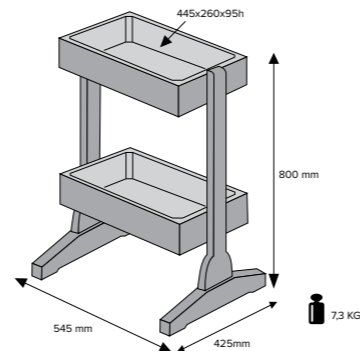


Trolley available in black, white, silver and fuchsia
Other colours on request for minimum quantities

The LC wheeled service trolley, practical accessory for any make-up and aesthetic treatment station, is the ideal and coordinated complement of **L200 ed L400 stations**.
Even the LC trolley made of dried and lacquered beech wood, 100% Italian craftsmanship.

- ◆ **Convenient:** to get the working tools in order and ready to share with colleagues
- ◆ **Agile:** on 4 pivoting wheels, it can be moved with a finger
- ◆ **Large:** 2 shelves with removable and washable thermoformed containers. Removable partitions.

Technical Details



It can be combined with wheeled stations and chairs by Cantoni's line.



All products by Cantoni are made in Italy with carefully selected materials.
Each product is the result of a careful study to ensure the best balance between aesthetics and technology.
The authenticity of each piece by Cantoni is ensured by our trademark.

We are always available to respond to every request and question about products.
Our technical department is then available for custom projects

PLEASE NOTE:
Cantoni reserves the right to modify at any time the items in the catalogue for technical or commercial purposes.
Shipments are made from our offices in San Marino



CANTONI TRADING SRL

Headquarters

Via Guardia di Rocca 10 - 47899 Galazzano - Rep. San Marino

Registered Office e Showroom

Strada degli Angariari 25 - 47891 Rovereta - Rep. San Marino

Tel. (+378) 0549 977527 - Fax (+378) 0549 876501

sales@cantonionline.com

www.cantonionline.com

www.cantonishop.com