

# MW01.TSK - The 6 light transportable multi-purpose mirror



6 *I-light* lights  
Universal power socket



"TOP and DROP" system



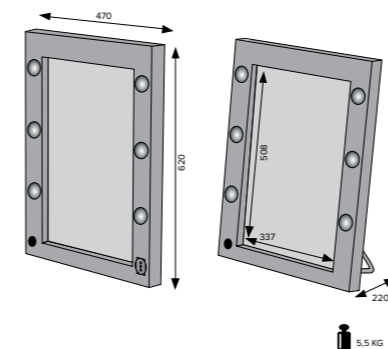
Padded protection cover in technical fabric

MW01.TSK is the new 6 light transportable multi-purpose mirror by Cantoni collection, designed for mobile use and to be set up in minutes in both classrooms and seminar rooms, courses and backstage. Thanks to the special support and "TOP & DROP" system, it can be used either resting on a table top and wall-mounted. Light, it is transported with the padded suitable carrying bag equipped with handles and adjustable shoulder strap.

The embossed ABS structure makes it **durable** and **easy to handle**.

- ◆ **Frame** in embossed ABS
- ◆ **Universal** front power outlet
- ◆ **Aluminium back** for back-to-wall support
- ◆ **I-light 6** adjustable lights adjustable in brightness
- ◆ 110V-240V compatible
- ◆ Transportation and **protection bag**

## Technical Details



## THE COLLECTIONS OF TABLETOP MIRRORS WITH LIGHTS

The Cantoni lighted make-up mirrors are a new interpretation of the classic vanity desk: artisanal workmanship and advanced lighting technology, innovative materials such as methacrylate, technical materials such as aluminium and traditional materials such as wood combine to create elegant, functional mirrors equipped with perfect lighting for make-up professionals.

Thanks to their elegance and their efficacy, the Cantoni table mirrors are also perfect for furnishing professional make-up artist academies and beauty corner in any retail space. In addition, the transportable models, are the ideal solution for the on-the-go and backstage situations.

The makeup table mirrors with lights are available in LTV, MW and MDE.Table's lines.

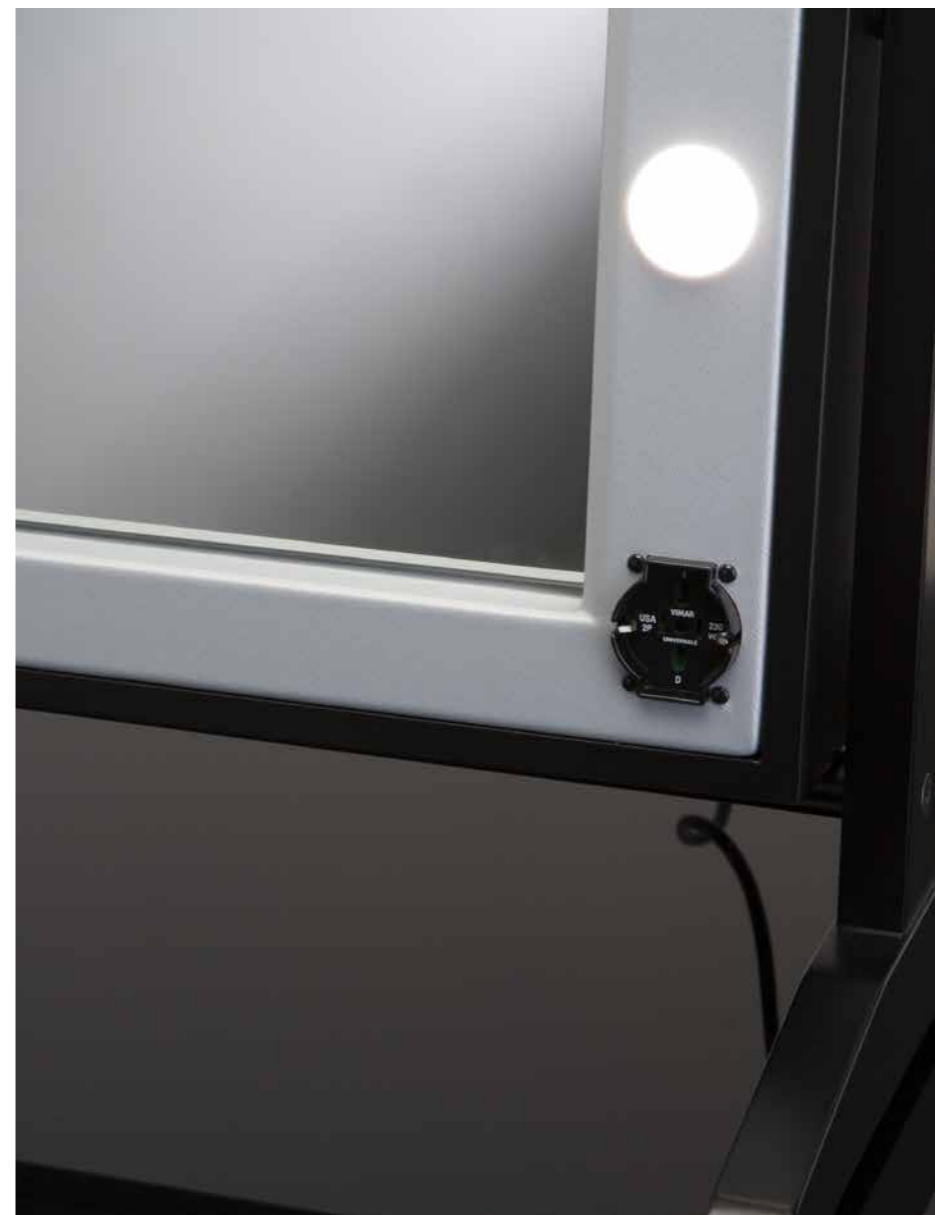
## TABLETOP MIRRORS



**CLASSIC**  
*Dried beech wood, textured paint, non-toxic coating*



**MODERN**  
*Elegant polished methacrylate*



## HOW DOES THE 'TOP & DROP' WORKS?



1. SUPPORT MODE  
When the rear support is open the mirror can be used on a table top.

2. WALL-MOUNTED MODE  
When the rear support is closed and locked the mirror must be wall mounted.

All products by Cantoni are made in Italy with carefully selected materials.  
Each product is the result of a careful study to ensure the best balance between aesthetics and technology.  
The authenticity of each piece by Cantoni is ensured by our trademark.

We are always available to respond to every request and question about products.  
Our technical department is then available for custom projects

PLEASE NOTE:  
Cantoni reserves the right to modify at any time the items in the catalogue for technical or commercial purposes.  
Shipments are made from our offices in San Marino



#### **CANTONI TRADING SRL**

##### ***Headquarters***

Via Guardia di Rocca 10 - 47899 Galazzano - Rep. San Marino

##### ***Registered Office e Showroom***

Strada degli Angariari 25 - 47891 Rovereta - Rep. San Marino

Tel. (+378) 0549 977527 - Fax (+378) 0549 876501

[sales@cantonionline.com](mailto:sales@cantonionline.com)

[www.cantonionline.com](http://www.cantonionline.com)

[www.cantonishop.com](http://www.cantonishop.com)