

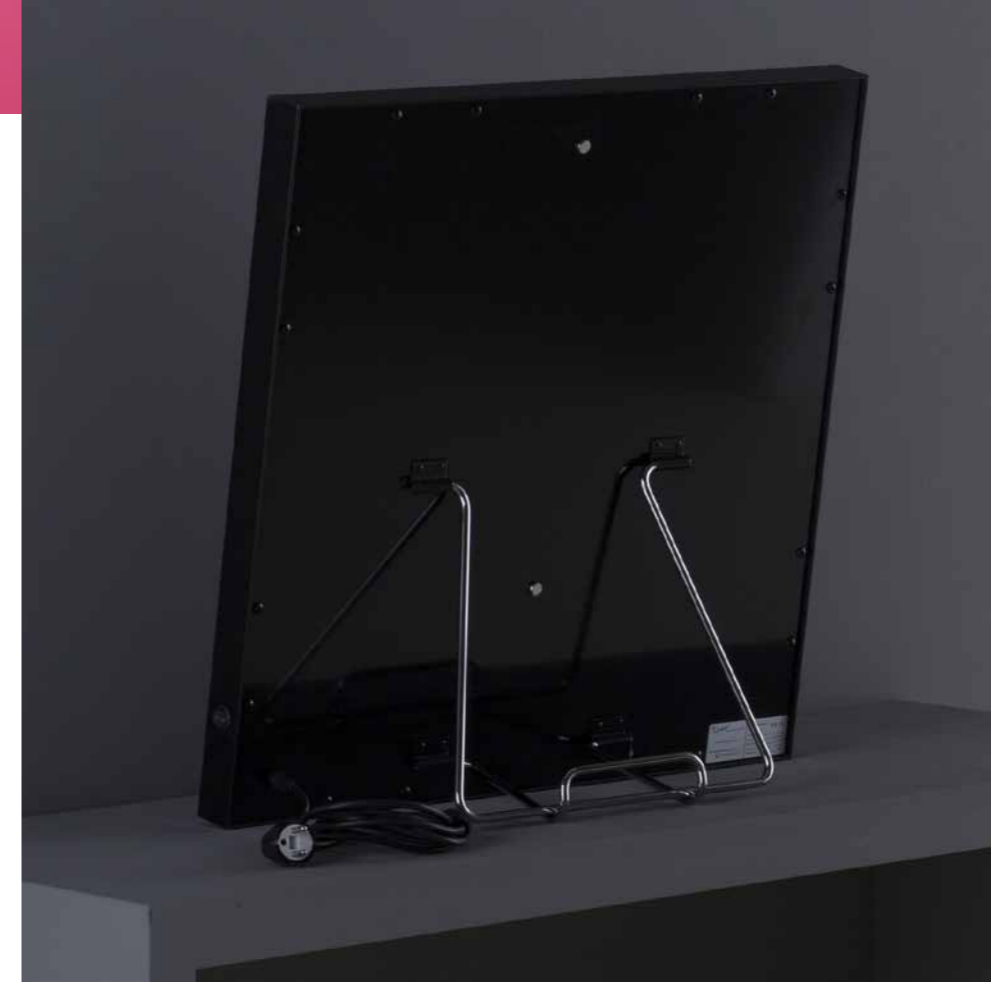
PH.TABLE - Luminous frame as support



Support for installation on shelf



Power cable

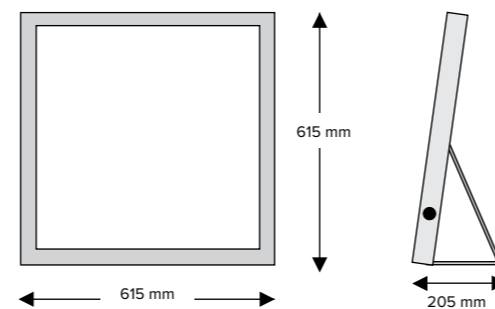


The luminous frames are a tool to create atmosphere and reduce the use of other light sources (and therefore also the consumption) during night time, in shops, windows and professional environments.

PH Table is a LED backlit luminous frame with back support and image spring interchange system, adjustable on benches, display and in temporary installations as advertising tool convenient and practical.

Integrated transformer and power button on the side.
Lightweight, anodized aluminium profile of only 4.5 cm, instant set-up.
High quality and technology ensure durability and reliability.

Technical Details



(Standard) dimension: 815mm x 815mm x 45mm
Standard frame: anodised silver or black aluminium
Back: aluminium and LDP

Possible customizations:

- Frame finish
- Size
- Image

Additional services: high quality printing service on translucent film.

BACKLIT FRAMES

The 'Visual' line was conceived with the aim of making display advertising, in stores and exhibition spaces, more practical and attractive.

The "Visual" range consists of backlit frames, entirely made in Italy, equipped with the innovative image insertion **spring system**. LED back lighting, with **minimum power consumption**, gives unparalleled contrast to the **colours of the image**.

Inserting and replacing the photos into the frame is done through a simple **hand pressure**.

The anodized aluminium profile is designed in detail. No external transformer is required, unlike traditional neon/LED lighted panels: all technology of the system is contained in only **4.5 cm thick**.

The sturdy profile allows to create, even customized, special large frames, with the guarantee of a total non-deformability.

The backlit panel by Cantoni, due to its **lightness and ease** of installation, is very close to a **painting**.



*SOLID ANODISED
ALUMINIUM FRAME*



*IMAGES IN BACKLIT FRAMES ARE INTERCHANGEABLE WITH
A SIMPLE SPRING SYSTEM*



All products by Cantoni are made in Italy with carefully selected materials.
Each product is the result of a careful study to ensure the best balance between aesthetics and technology.
The authenticity of each piece by Cantoni is ensured by our trademark.

We are always available to respond to every request and question about products.
Our technical department is then available for custom projects

PLEASE NOTE:
Cantoni reserves the right to modify at any time the items in the catalogue for technical or commercial purposes.
Shipments are made from our offices in San Marino



CANTONI TRADING SRL

Headquarters

Via Guardia di Rocca 10 - 47899 Galazzano - Rep. San Marino

Registered Office e Showroom

Strada degli Angariari 25 - 47891 Rovereta - Rep. San Marino

Tel. (+378) 0549 977527 - Fax (+378) 0549 876501

sales@cantonionline.com

www.cantonionline.com

www.cantonishop.com