

S102.A. - The aluminium make-up chair



Steel finishes



Black lacquered FOOTREST with anti-slip band and engraved Cantoni's logo



FOOTREST rear reinforcement

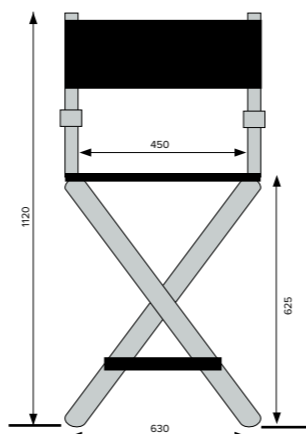


DETACHABLE HEADREST on request

Portable chair for professional make-up, produced in Italy. Characterized by very low weight which makes it easy to transport.

- ◆ Anodized aluminium frame to 17/20 microns
- ◆ 306 passivated stainless steel finishes.
- ◆ Foldable and easy-to-carry with suitable bag
- ◆ Seat and backrest breathable and washable, wear resistant
- ◆ Removable backrest
- ◆ Customized whit logo
- ◆ Available accessories

Technical Details



Folded chair dimensions:
530X220X850mm

5 KG





HEADREST HR SYSTEM FOR CHAIR

The HR System headrest is patented and exclusive by Cantoni.

Ideal for long make-up sessions, it allows the customer to feel comfortable and to the make-up artist to have the face in an optimal position for make up.
Adjustable in height and tilt.
Available for all models of make-up chairs by Cantoni.
Black painted aluminium structure.

HR SYSTEM: HOW TO USE IT

The headrest is hooked to the chair without any need for fastening accessories. It can be easily adjustable in height and tilting with a continuous lever system..



HR COVER

Protective bag for HR SYSTEM with comfortable shoulder strap

KH: hooking kleenex holder
B03: hooking bag for MUA chair
See section Accessories too.



B02A /B02.A.TR

Padded bag in technical fabric for S102.A and S102.A.2H models It allows to carry the chair with ease and protects it from scratches and bumps.
With shoulder strap and handles.
Also **available** with **trolley** (mod.B02A.TR)



B02/B02.TR

Padded bag in technical fabric for model S102.N. It allows to carry the foldable chair with ease and protects it from scratches and bumps.
With shoulder strap and handles.
Also **available** with **trolley** (mod. B02.TR)

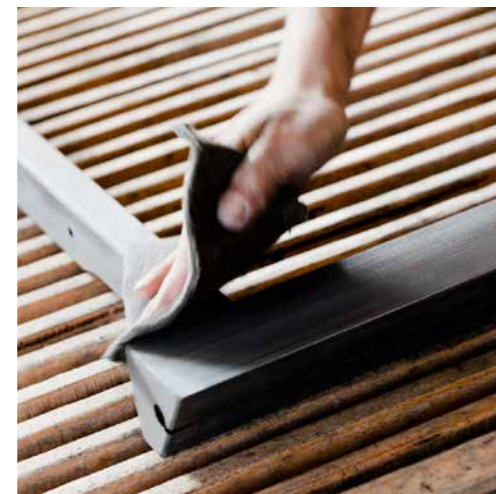
MAKE-UP CHAIRS

LINE OF CHAIRS for make-up and aesthetics

Designed to provide maximum comfort and functionality to beauty make-up artist professionals, the make-up chairs are elegant, functional and safe. From 1996 to date, the range has been enriched with different models and details have been refined to obtain high quality make-up chairs, which stand out for reliability, portability and durability.

To make the daily work of make-up-artist easier, more comfortable and safe, the materials are chosen with care, the structure and the accessories designed in every detail: reinforced support elements for the seat, footrest fast joint system for S102 models, anti-tipping structure (for models S104 and S105).

Each of the make-up chair by Cantoni can be supplied with removable headrest, an exclusive feature by Cantoni, reclining and adjustable in height, especially useful during long make-up sessions: the model or the customer will keep the head still, comfortable and in an ideal position to allow a perfect make-up. The chairs are transportable thanks to the suitable bag (either as trolley or a shoulder bag) and they can be customized printing the name or logo.



All products by Cantoni are made in Italy with carefully selected materials.
Each product is the result of a careful study to ensure the best balance between aesthetics and technology.
The authenticity of each piece by Cantoni is ensured by our trademark.

We are always available to respond to every request and question about products.
Our technical department is then available for custom projects

PLEASE NOTE:
Cantoni reserves the right to modify at any time the items in the catalogue for technical or commercial purposes.
Shipments are made from our offices in San Marino



CANTONI TRADING SRL

Headquarters

Via Guardia di Rocca 10 - 47899 Galazzano - Rep. San Marino

Registered Office e Showroom

Strada degli Angariari 25 - 47891 Rovereta - Rep. San Marino

Tel. (+378) 0549 977527 - Fax (+378) 0549 876501

sales@cantonionline.com

www.cantonionline.com

www.cantonishop.com