

LINE OF STRONG MOBILE STATIONS, DESIGNED FOR SPACE AND EFFICIENCY LOVERS

Both VT and VP lines mobile stations for hair and make-up stand out for their “flight case” style. Wide range of models of different sizes and with different interior equipments, to offer targeted solutions for different requirements and have everything in order and handy. The structure is lightweight, sturdy and compact, with ABS frames resistant to scratches and wear. Quick and easy opening and closing system, thanks to the built-in telescopic legs. Details with engraved Cantoni logo.

VT AND VP LINES



*RUBBER WHEELS
with ball bearings*



*TELESCOPIC TROLLEY
with spring lock button
REINFORCED STRAP HANDLES*



*ANODISED ALUMINIUM PROFILES
CHROME ACCESSORIES
KEY LOCK*



*PRE SET-UP SYSTEM
with standard locking system for
the face-chart holding project*

VPET-10 -The compact one with trays



Built-in trolley with square section telescopic handle. Handle with lock button.



Removable trays that can be positioned on the sides of the case with suitable hooks. Removable partitions inside the container



HOLDING FACE-CHART STAND
Universal power socket
110-240V



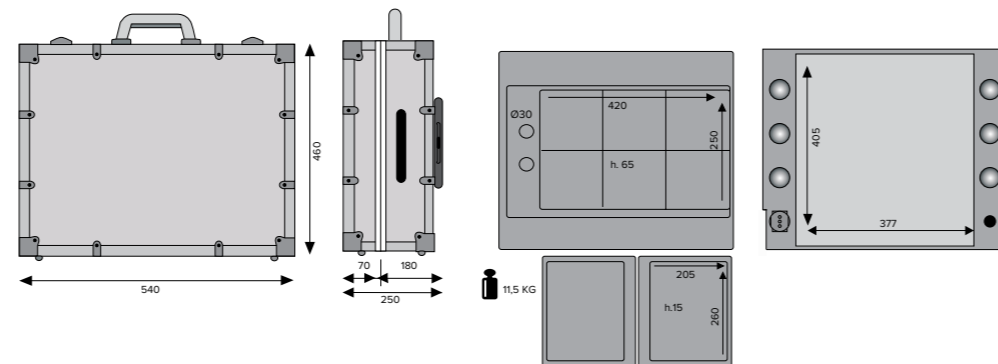
CANTONI I-LIGHT LIGHTING SYSTEM with dimmer button to adjust the brightness

The lighted make-up case with VPET trolley is the optimal solution for make-up artists and hairstylists who need a handy work stations suitable for the most different situations.

- ◆ **Light:** the lightest on the market
- ◆ **Compact:** compact size
- ◆ **Fast:** 30' opening system for a fast set-up without assembly
- ◆ **Versatile:** suitable for make-up, hairstyling and aesthetics
- ◆ **Smart:** interior with removable partitions and brush holders
- ◆ **Customizable:** logos and images printable on both cover and mirror

Technical Details

Working table 880 mm high with maximum extension of the telescopic legs



Customization



Cantoni knows how to make both internally and externally customized makeup stations that meet the needs of the market, thanks to the extensive experience it has acquired over the years.

MONOCHROMATIC EXTERIOR

The exterior surface of the case can bear the **colour** that distinguishes the identity of each brand.

The colour folder can be furnished for a minimum of 16 pcs.

COLOUR SCREEN PRINTING

The full VT and VP range can be **colour screen printed** in very high resolution.

The Cantoni design dept. develops the customised graphic project from **the customer's images**

Exclusive and immediately recognisable make-up stations are the result.

The service is available for orders of 16 pcs min.





HOLDING PROJECTS STAND

Comfortable and stable support for make-up projects, it fits into the hooks on the side of the case. Made of lightweight and durable aluminium.



X4 +SX4

WHEEL SYSTEM FOR MAKE-UP CASE

Strong wheels with lock to apply to the legs of the make-up case. Folding, it can be stored in the suitable carrying bag.



X4 +SX4: HOW TO USE IT

The Rolling System is a useful accessory that allows to easily move the make-up case once opened.



COVER: TO PROTECT THE CASE

The protective cover for the VT and VP make-up cases are made of padded and waterproof technical fabric. The handles and wheels are not covered and the surface is protected against scratches and bumps.



DIGITAL SUPPORT FOR STAND

This locking system allows to securely fit on the projects stand both digital frames and tablets



HOOKING HAIRDRYER/BRUSHES HOLDER

It can be hooked to any side of the case. In ABS, it does not deform with the heat of the hair-dryer. 2 brushes holding glasses included

All products by Cantoni are made in Italy with carefully selected materials.
Each product is the result of a careful study to ensure the best balance between aesthetics and technology.
The authenticity of each piece by Cantoni is ensured by our trademark.

We are always available to respond to every request and question about products.
Our technical department is then available for custom projects

PLEASE NOTE:
Cantoni reserves the right to modify at any time the items in the catalogue for technical or commercial purposes.
Shipments are made from our offices in San Marino



CANTONI TRADING SRL

Headquarters

Via Guardia di Rocca 10 - 47899 Galazzano - Rep. San Marino

Registered Office e Showroom

Strada degli Angariari 25 - 47891 Rovereta - Rep. San Marino

Tel. (+378) 0549 977527 - Fax (+378) 0549 876501

sales@cantonionline.com

www.cantonionline.com

www.cantonishop.com