

## LINE OF STRONG MOBILE STATIONS, DESIGNED FOR SPACE AND EFFICIENCY LOVERS

Both VT and VP lines mobile stations for hair and make-up stand out for their “flight case” style. Wide range of models of different sizes and with different interior equipments, to offer targeted solutions for different requirements and have everything in order and handy. The structure is lightweight, sturdy and compact, with ABS frames resistant to scratches and wear. Quick and easy opening and closing system, thanks to the built-in telescopic legs. Details with engraved Cantoni logo.

## VT AND VP LINES



*RUBBER WHEELS  
with ball bearings*



*TELESCOPIC TROLLEY  
with spring lock button  
REINFORCED STRAP HANDLES*



*ANODISED ALUMINIUM PROFILES  
CHROME ACCESSORIES  
KEY LOCK*



*PRE SET-UP SYSTEM  
with standard locking system for  
the face-chart holding project*

# VT101.C - The heat-resistant one



Trolley with square section telescopic handle. Retractable handle with locking button.

Heat-resistant aluminium flaps, embossed black paint finish, magnetic closure.

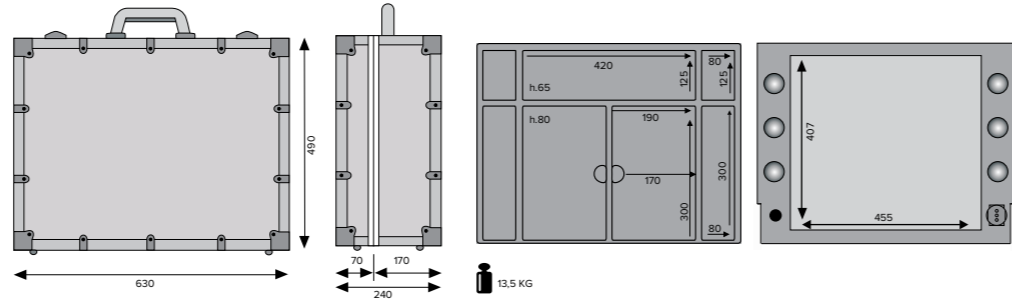
HOLDING FACE-CHART STAND Universal power socket 110-240V

CANTONI I-LIGHT LIGHTING SYSTEM with dimmer button to adjust the brightness

Easy to carry, the VT101C make-up case with lights, large and solid, is the most classic and sold by Cantoni. Perfect both in beauty salon and in motion.

- ◆ **Heat-resistant:** the possibility to put hair straightener and hair-dryer makes it perfect for hair-styling.
- ◆ **Fast:** 30' opening system for a fast set-up without assembly
- ◆ **Spacious:** well compartmentalised and large
- ◆ **Adaptable:** the interior compartments can be designed to meet specific needs
- ◆ **Customizable:** logos and images printable on both cover and mirror

**Technical Details**  
Working table 940 mm high with maximum extension of the telescopic legs



## Customization



Cantoni knows how to make both internally and externally customized makeup stations that meet the needs of the market, thanks to the extensive experience it has acquired over the years.

### MONOCHROMATIC EXTERIOR

The exterior surface of the case can bear the **colour** that distinguishes the identity of each brand.

The colour folder can be furnished for a minimum of 16 pcs.

### COLOUR SCREEN PRINTING

The full VT and VP range can be **colour screen printed** in very high resolution.

The Cantoni design dept. develops the customised graphic project from **the customer's images**

Exclusive and immediately recognisable make-up stations are the result.

The service is available for orders of 16 pcs min.





**HOLDING PROJECTS STAND**

Comfortable and stable support for make-up projects, it fits into the hooks on the side of the case. Made of lightweight and durable aluminium.

**X4 +SX4**

**WHEEL SYSTEM FOR MAKE-UP CASE**  
Strong wheels with lock to apply to the legs of the make-up case. Folding, it can be stored in the suitable carrying bag.

**X4 +SX4: HOW TO USE IT**

The Rolling System is a useful accessory that allows to easily move the make-up case once opened.

**COVER: TO PROTECT THE CASE**

The protective cover for the VT and VP make-up cases are made of padded and waterproof technical fabric. The handles and wheels are not covered and the surface is protected against scratches and bumps.



**DIGITAL SUPPORT FOR STAND**

This locking system allows to securely fit on the projects stand both digital frames and tablets



**HOOKING HAIRDRYER/BRUSHES HOLDER**

It can be hooked to any side of the case. In ABS, it does not deform with the heat of the hair-dryer. 2 brushes holding glasses included

All products by Cantoni are made in Italy with carefully selected materials.  
Each product is the result of a careful study to ensure the best balance between aesthetics and technology.  
The authenticity of each piece by Cantoni is ensured by our trademark.

We are always available to respond to every request and question about products.  
Our technical department is then available for custom projects

PLEASE NOTE:  
Cantoni reserves the right to modify at any time the items in the catalogue for technical or commercial purposes.  
Shipments are made from our offices in San Marino



#### **CANTONI TRADING SRL**

##### ***Headquarters***

Via Guardia di Rocca 10 - 47899 Galazzano - Rep. San Marino

##### ***Registered Office e Showroom***

Strada degli Angariari 25 - 47891 Rovereta - Rep. San Marino

Tel. (+378) 0549 977527 - Fax (+378) 0549 876501

[sales@cantonionline.com](mailto:sales@cantonionline.com)

[www.cantonionline.com](http://www.cantonionline.com)

[www.cantonishop.com](http://www.cantonishop.com)